

Pressure regulators Series C

Ports G3/8, G1/2, G1
(G1/4 out of production, replaced by Series MC)
Compact (modular)

The pressure regulators are available with G3/8, G1/2 and G1 connections. Normally they are available with relieving as standard. Apart from the 1" version, all the other versions can be panel mounted.



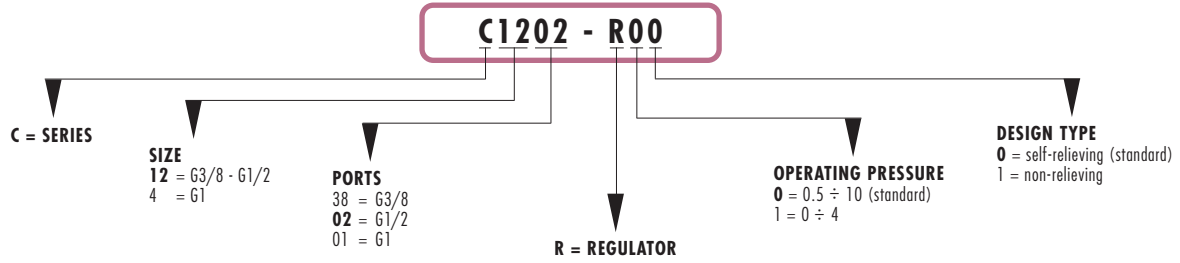
GENERAL DATA

Construction	compact, diaphragm-type			
Materials	aluminium, brass, NBR, technopolymer			
Ports	G3/8	G1/2	G1	
Weight	kg	0,470	0,460	1,680
Pressure gauge ports	G1/8	G1/8	G1/4	
Type of mounting	in-line, wall or console mounting (in any position)			
Operating temperature	0°C ÷ 50°C			
Finishing	enamelled			

PNEUMATIC DATA

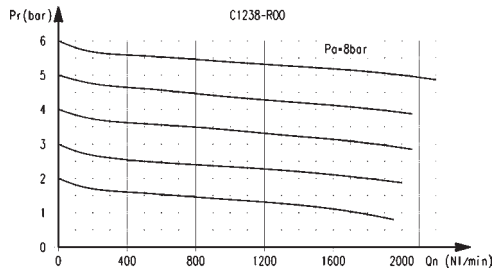
Inlet pressure	0 ÷ 16 bar
Outlet pressure	0.5 ÷ 10 bar
Nominal flow	see graph
Secondary pressure relieving	standard

CODING OF REGULATORS

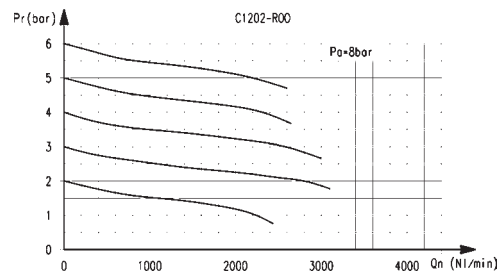


FLOW DIAGRAMS

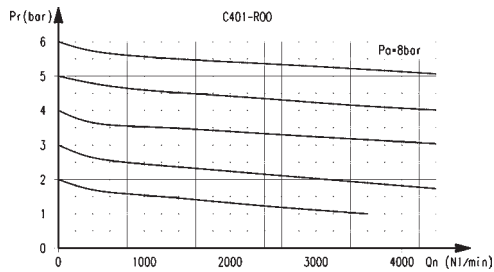
C1238-R00



C1202-R00

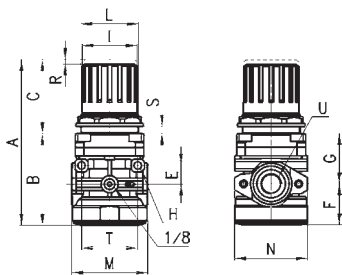


C401-R00

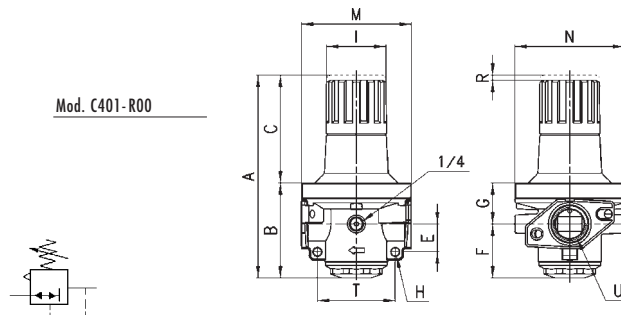


Pressure regulators, Series C

Mod. C1238-R00
Mod. C1202-R00



Mod. C401-R00



DIMENSIONS

Mod.	A	B	C	E	F	G	H	I	L	M	N	R	S	T	U
C1238 - R00	134	75	59	15	34	41	5	45	47x1,5	62	59	3,5	0-9	46	G3/8
C1202 - R00	134	75	59	15	34	41	5	45	47x1,5	62	59	3,5	0-9	46	G1/2
C401 - R00	203,5	95,5	108	28	54	40	8	60	-	110	110	5	-	78	G1