

Filter/regulator Series C

Ports G3/8, G1/2, G1

(G1/4 out of production, replaced by Series MC)

Compact (modular) with metal bowl and bayonet-type mounting

The integrated regulator/filters are available with G3/8, G1/2, and G1 ports. They combine the features of the filters and regulators and have smaller overall dimensions than the two separate components.



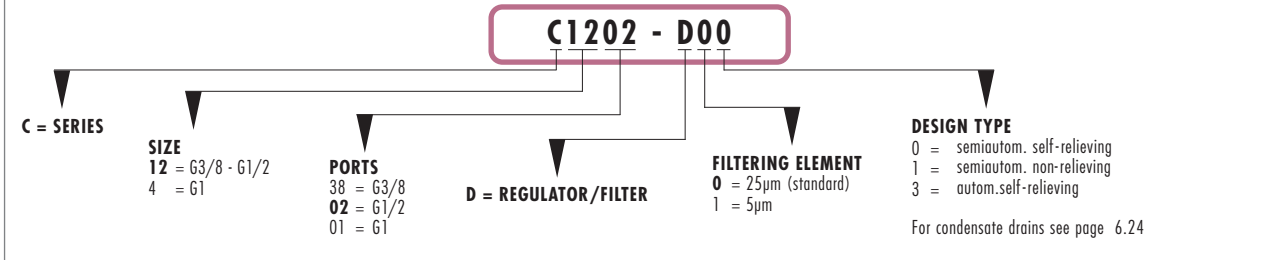
GENERAL DATA

Construction	compact, with sintered bronze filtering element, diaphragm-type			
Materials	*aluminium, grillamid, nylon, NBR			
Ports	G3/8	G1/2	G1	
Condensate capacity	cm ³	85	85	380
Weight	kg	0,700	0,690	2,280
Pressure gauge ports	G1/8	G1/8	G1/4	
Type of mounting	vertical in-line or wall-mounting			
Operating temperature	0°C ÷ 50°C at 10 bar			
Porosity of filtering element	25 µm standard; 5 µm (available on request)			
Draining of condensate	standard semiautomatic, manual			
Finish	enamelled			

PNEUMATIC DATA

Inlet pressure	0,3 ÷ 16 bar (with automatic drain 1,5 ÷ 15)
Outlet pressure	0,5 ÷ 10 bar
Nominal flow	see graph
Secondary pressure relieving	standard

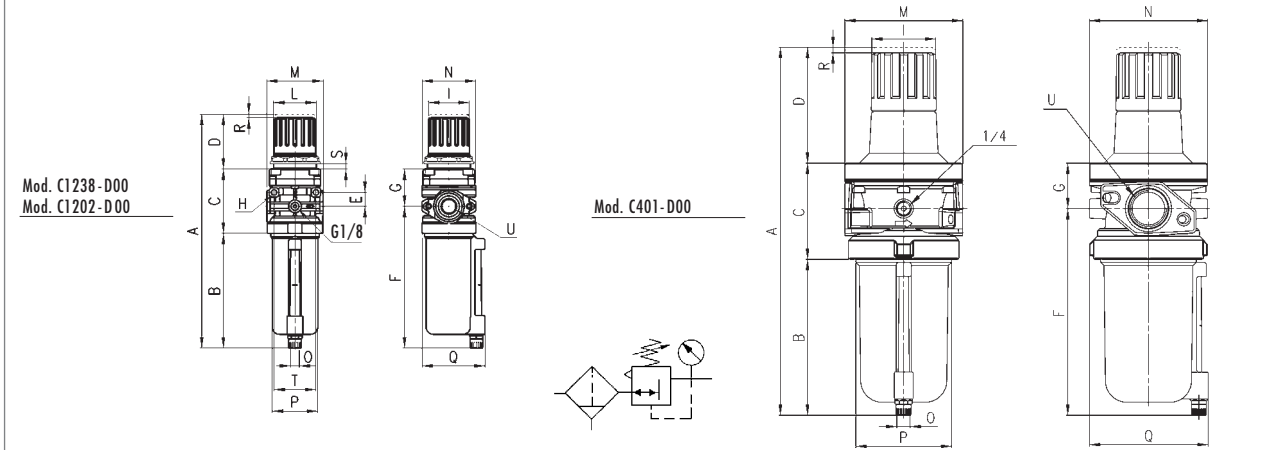
CODING OF REGULATOR/FILTER



FLOW DIAGRAMS



Filter/regulator, Series C



DIMENSIONS

Mod.	A	B	C	D	E	F	G	H	I	L	M	N	O	P	R	S	T	U
C1238 - D00	264	134	71	59	15	156	41	5	45	47x1,5	62	59	G1/8	50	3,5	0 : 9	46	G3/8
C1202 - D00	257	134	71	59	15	156	41	5	45	47x1,5	62	59	G1/8	50	3,5	0 : 9	46	G1/2
C401 - D00	344	146	89	124	-	193	43	-	60	-	110	110	G1/8	89	5	-	-	G1

The company reserves the right to vary models and dimensions without notice. These products are designed for industrial applications and are not suitable for sale to the general public.