

Filters Series C

Ports G3/8, G1/2, G1

(G1/4 out of production, replaced by Series MC)

Compact (modular) with metal bowl and bayonet-type mounting

The compact filters are available with G3/8, G1/2, and G1 connections.

The bowls of these filters are made of metal with a transparent sight glass and have a condensate drain valve which can provide either a manual or semi-automatic function.

On request it is possible to order filters with filtering elements which can vary from the standard. In addition this version is available with automatic drain.



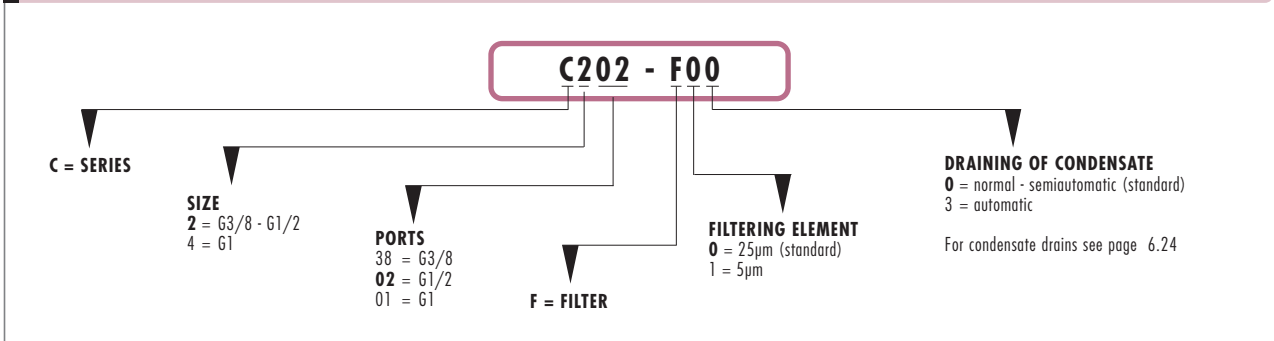
GENERAL DATA

Construction	compact, with filtering element in HDPE		
Materials	aluminium, NBR, technopolymer		
Ports	G3/8	G1/2	G1
Max. condensate capacity	cm ³	85	85 380
Weight	kg	0,407	0,400 1,150
Type of mounting	vertical in-line or wall-mounting		
Operating temperature	0°C ÷ 50°C at 10 bar		
Porosity of filtering element	25 µm standard; 5 µm (upon request)		
Draining of condensate	semi-automatic, standard		
Finishing	enamelled		

PNEUMATIC DATA

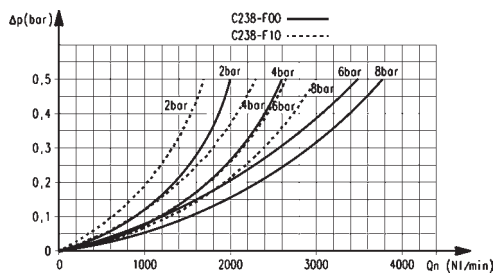
Operating pressure	0,3 ÷ 16 bar (with automatic drain 1,5 ÷ 15)
Nominal flow	see graph

CODING OF FILTERS

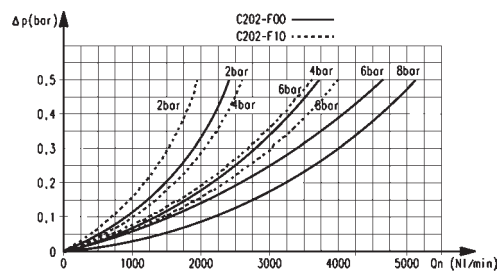


FLOW DIAGRAMS

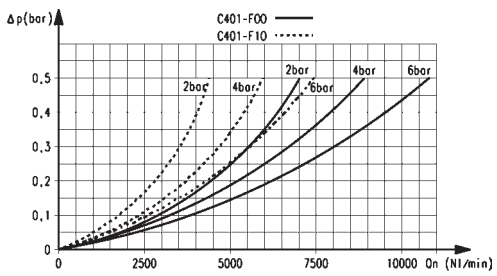
C238-F00 AND C238-F10



C202-F00 AND C202-F10

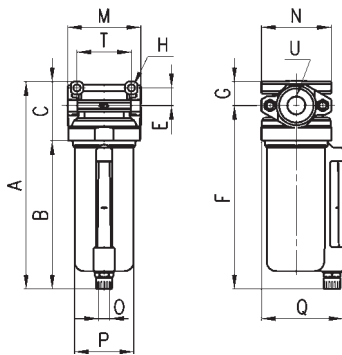


C401-F00 AND C401-F10

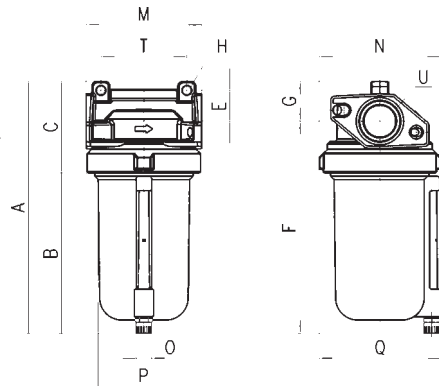
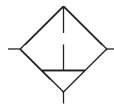


Filters, Series C

Mod. C238-F00
Mod. C200-F00



Mod. C401-F00



DIMENSIONS

Mod.	A	B	C	E	F	G	H	M	N	O	P	T	U
C238-F00	184	134	50	15	156	20	5	62	59	G1/8	50	46	G3/8
C202-F00	184	134	50	15	156	20	5	62	59	G1/8	50	46	G1/2
C401-F00	228	146	82	29	193	35	8	105	110	G1/8	89	78	G1