

Lockable isolation 3/2-way valve Series MC

Port G1/4
Modular

the valves are designed so that the downstream air pressure can be vented and the valve locked in the non passing condition to allow work to be carried out with greater safety on pneumatically actuated equipment.

Positioning of these valves is often before the FRL unit.

In course of preparation ports G3/8 and G1/2.
For modular assembly see page 6.09.



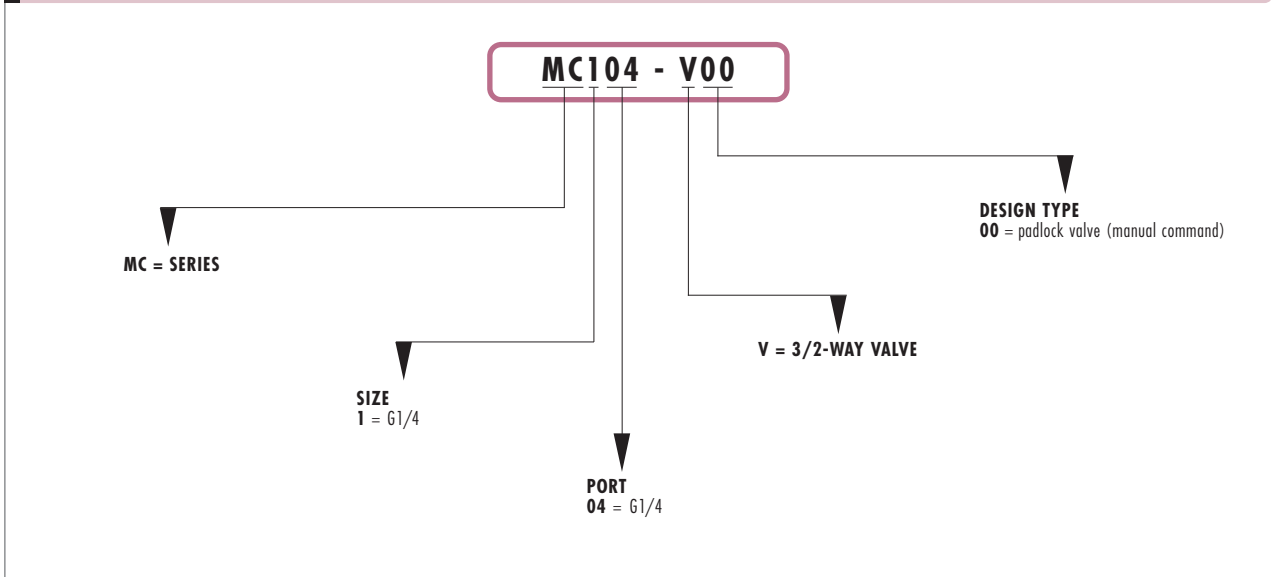
GENERAL DATA

Construction	modular assembly, compact, poppet type
Materials	zama, brass, NBR, technopolymer
Port	G1/4
Weight	kg 0,327
Mounting	in-line , wall or panel mounting (in any position)
Operating temperature	0°C ÷ 50°C
Finish	enamelled

PNEUMATIC DATA

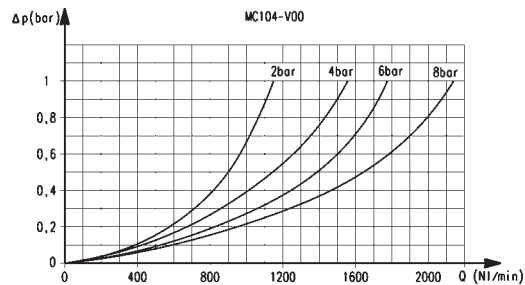
Operating pressure	0 ÷ 16 bar
Nominal flow	see graph
Nominal flow in the exhausted direction	G1/4 690 l/min
	flow determined at 6 bar with $\Delta P = 1$ bar

CODING LOCKABLE ISOLATION VALVE

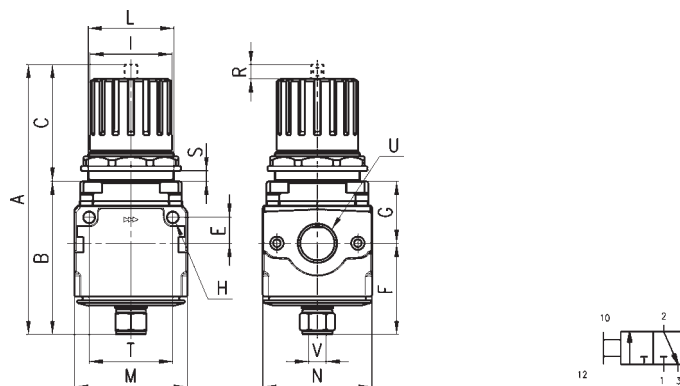


FLOW DIAGRAMS

MC104-V00



Lockabile isolation valve Series MC



DIMENSIONS

Mod.	A	B	C	E	F	G	H	I	L	M	N	R	S	T	U	V
MC104-V00	112,5	67,5	45	11	40,5	27	4	28	30x1,5	45	45	6,5	0 : 6	35	G1/4	G1/8