

Pressure regulators Series MC

Port G1/4 Modular

The Series MC pressure regulators are available with port G1/4.

Normally they are available with relieving as standard.

All versions can be panel mounted.

In course of preparation ports G3/8 and G1/2.
For modular assembly see page 6.09.



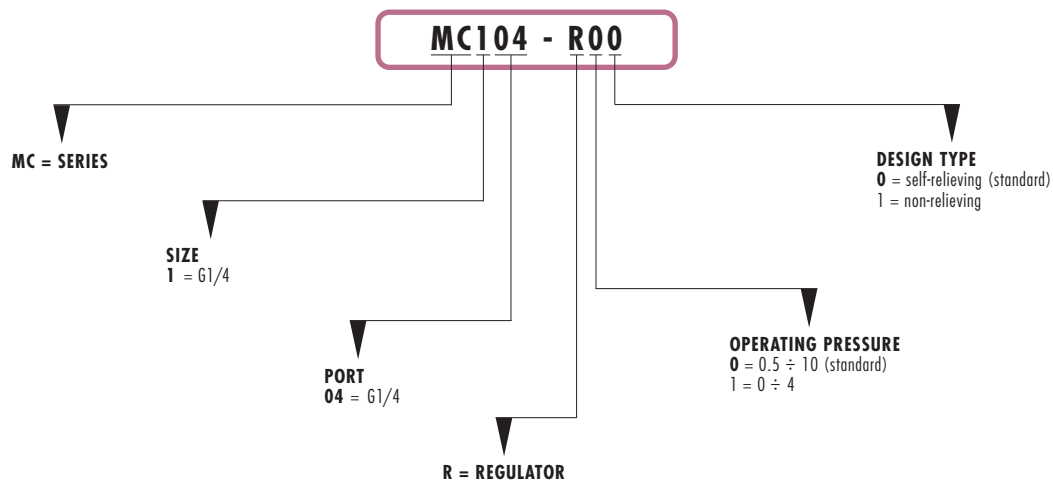
GENERAL DATA

Construction	modular, compact, diaphragm type
Materials	zama, brass, NBR, technopolymer
Port	G1/4
Weight	kg 0,323
Pressure gauge ports	G1/8
Mounting	in-line wall or console mounting (in any position)
Operating temperature	0°C ÷ 50°C
Finishing	enamelled

PNEUMATIC DATA

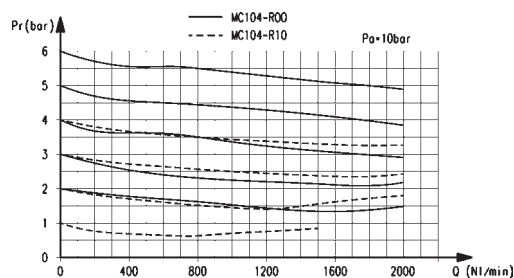
Inlet pressure	0 ÷ 16 bar
Outlet pressure	0.5 ÷ 10 bar or 0 ÷ 4 bar
Nominal flow	see graph
Secondary pressure relieving	standard

CODING OF PRESSURE REGULATORS

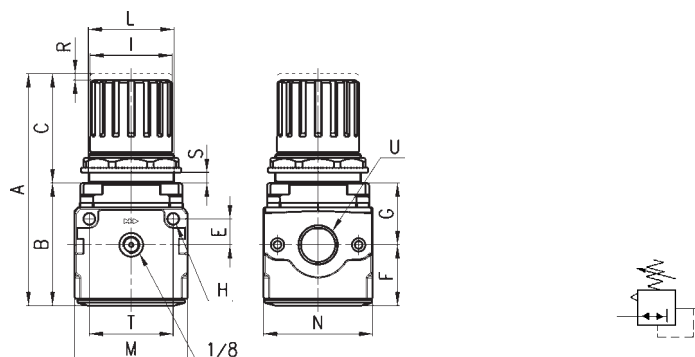


FLOW DIAGRAM

MC104-R00 AND MC104-R10



Pressure regulators Series MC



DIMENSIONS

Mod.	A	B	C	E	F	G	H	I	L	M	N	R	S	T	U
MC104-R00	94	56	38	11	28,5	27,5	4	28	30x1,5	45	45	3	0:6	35	G1/4