

Filter/regulator Series MC

Port G1/4
Modular
with metal bowl and bayonet-type mounting

The filter regulators Series MC are available with port G1/4. They combine the features of the filters and regulators and have smaller overall dimensions than the two separate components.

In course of preparation ports G3/8 and G1/2.
For modular assembly see page 6.09.



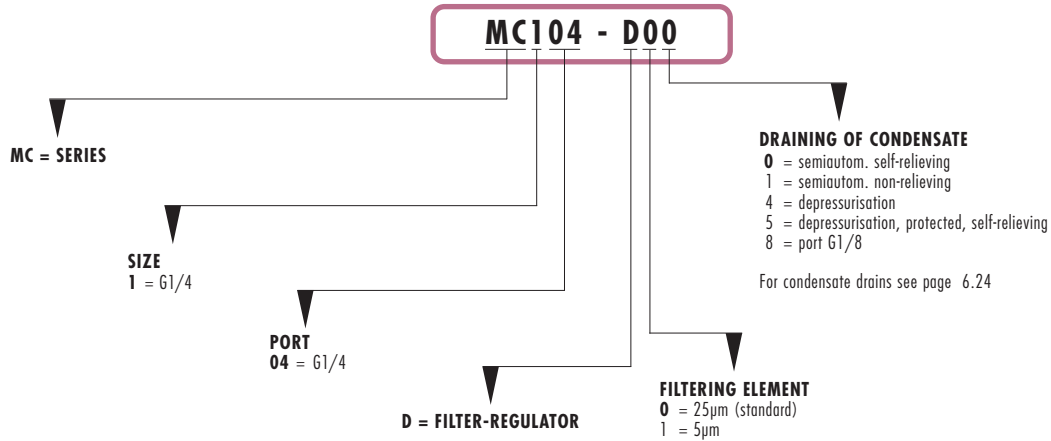
GENERAL DATA

Construction	compact modular with filtering element in HDPE - diaphragm type
Materials	zama, NBR, technopolymer
Port	G1/4
Condensate capacity	cm ³ 28
Weight	kg 0,443
Pressure gauge ports	G1/8
Mounting	vertical in-line or wall-mounting
Operating temperature	0°C ÷ 50°C at 10 bar
Porosity of filtering element	25 µm standard - 5 µm upon request
Draining of condensate	manual - semi-automatic standard
Finish	enamelled

PNEUMATIC DATA

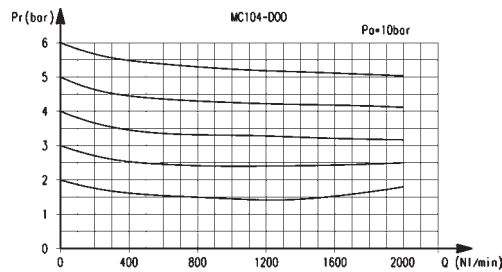
Inlet pressure	0,3 ÷ 16 bar (with depressurisation max 10 bar)
Outlet pressure	0.5 ÷ 10 bar
Nominal flow	see graph
Secondary pressure relieving	standard

CODING FILTER REGULATOR

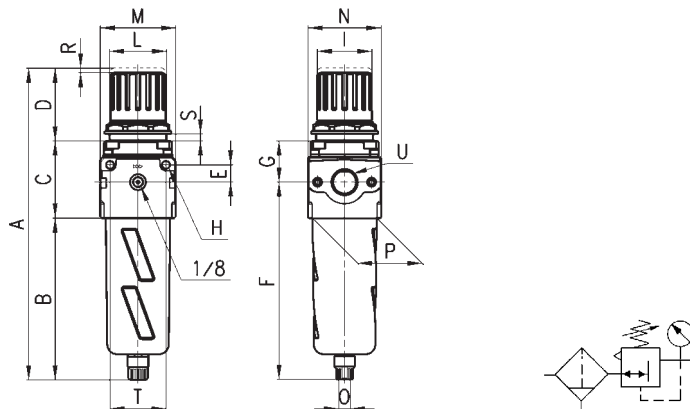


FLOW DIAGRAMS

MC104-D00



Filter regulators Series MC



DIMENSIONS

Mod.	A	B	C	D	E	F	G	H	I	L	M	N	O	P	R	S	T	U
MC104 - D00	192	102	52	38	11	126,5	27,5	4	28	30x1,5	45	45	G1/8	37	3	0 : 6	35	G1/4