

Pressure regulator Series N

Ports G1/8, G1/4

The Series N pressure regulator is available with G1/4 and G1/8 ports. Its design incorporates a self relieving diaphragm so as to allow decremental adjustments.

This compact regulator may be mounted directly on pipes or onto a console.



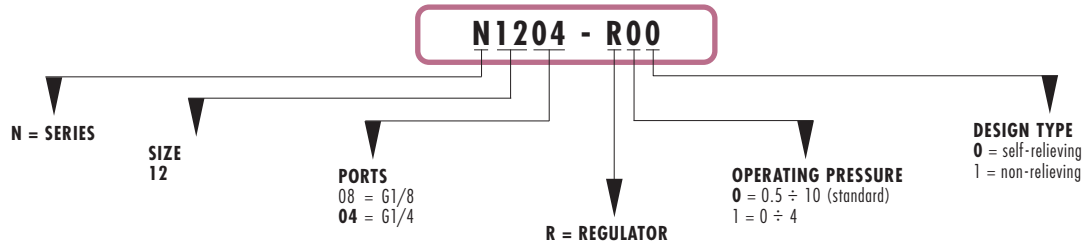
GENERAL DATA

Construction	diaphragm type
Materials	brass, technopolymer, NBR
Ports	G1/8 - G1/4
Weight	Kg 0.316
Pressure gauge ports	G1/8
Mounting	in-line or console (in any position)
Operating temperature	0°C ÷ 50°C

PNEUMATIC DATA

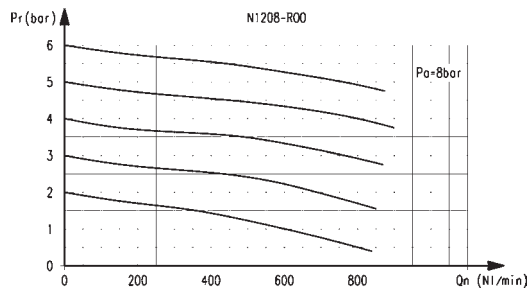
Inlet pressure	0 ÷ 16 bar
Outlet pressure	0.5 ÷ 10 bar
Nominal flow	see graph
Secondary pressure relieving	standard

CODING OF REGULATORS

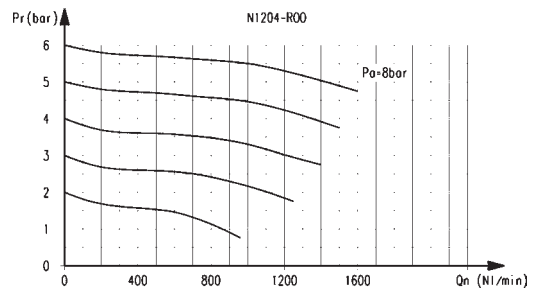


FLOW DIAGRAMS

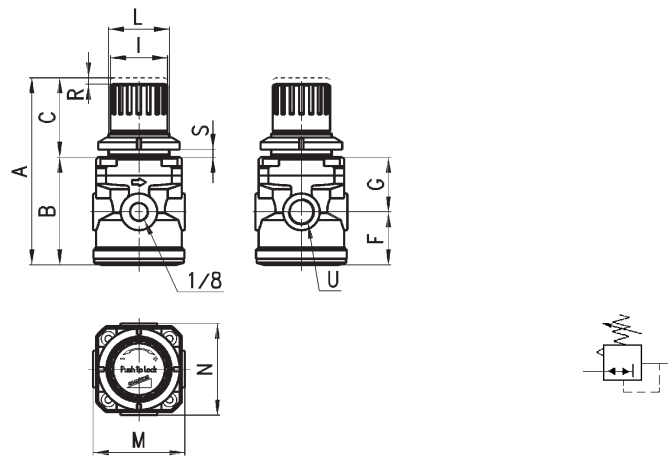
N1208-R00



N1204-R00



Pressure regulator, Series N



DIMENSIONS

Mod.	A	B	C	F	G	I	L	M	N	R	S	U
N1208-R00	92	53	39	26	27	28	30x1,5	45	45	3	0-6	G1/8 *
N1204-R00	92	53	39	26	27	28	30x1,5	45	45	3	0-6	G1/4 *

*regulators calibrated or block upon request