

Filter and coalescing filter Series N

Ports G1/8, G1/4
with screw-on transparent bowl

The Series N filter is available with G1/8 and G1/4 gas ports. The bowl, which is transparent, makes monitoring of the condensate levels very easy and is equipped with manual and semiautomatic drain. The models are available with 3 different filtering elements: 25µm, 5µm and 0,01µm.



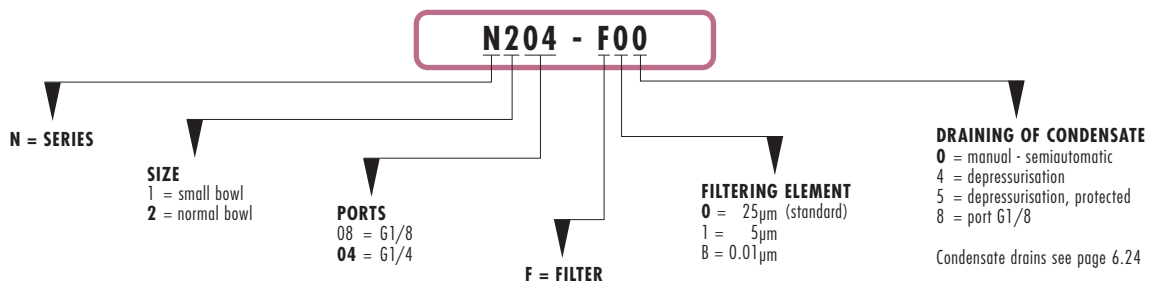
GENERAL DATA

Construction	HDPE filtering element
Materials	brass, technopolymer, NBR
Ports	G1/8 - G1/4
Max. condensate capacity cm ³	11 cm ³ = size 1 28 cm ³ = size 2
Weight	Kg 0.220
Mounting	vertical, in-line
Operating temperature	0°C ÷ 50°C at 10 bar
Porosity of filtering element	25 µm
Draining of condensate	semiautomatic, manual

PNEUMATIC DATA

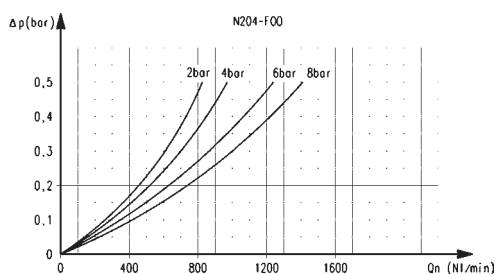
Operating pressure	0,3 ÷ 16 bar (with debrussarisation max 10 bar)
Nominal flow	see graph

CODING OF FILTERS

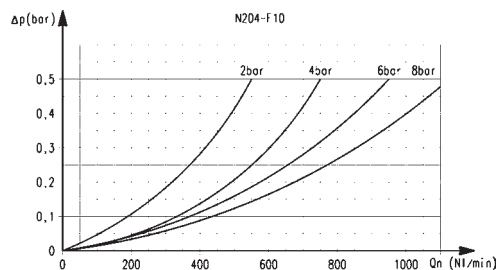


FLOW DIAGRAMS

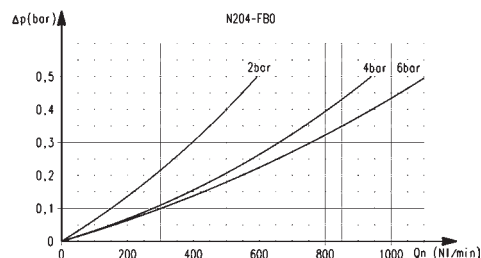
N204-F00



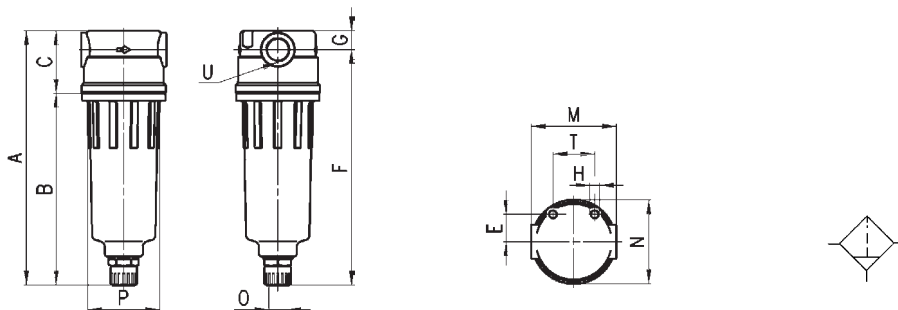
N204-F10



N204-FB0



Filters Series N



DIMENSIONS

Mod.	A	B	C	E	F	G	H	M	N	O	P	T	U
N108-F00	111	78	33	14,5	101	10	M5	45	44,5	G1/8	38	22	G1/8
N104-F00	111	78	33	14,5	101	10	M5	45	44,5	G1/8	38	22	G1/4
N208-F00	135	102	33	14,5	125	10	M5	45	44,5	G1/8	38	22	G1/8
N204-F00	135	102	33	14,5	125	10	M5	45	44,5	G1/8	38	22	G1/4